

**PLEASE STUDY CAREFULLY & COMPLETE ONE SHEET PER RIM**

NAME \_\_\_\_\_ ADDRESS \_\_\_\_\_

TEL \_\_\_\_\_ e-mail \_\_\_\_\_

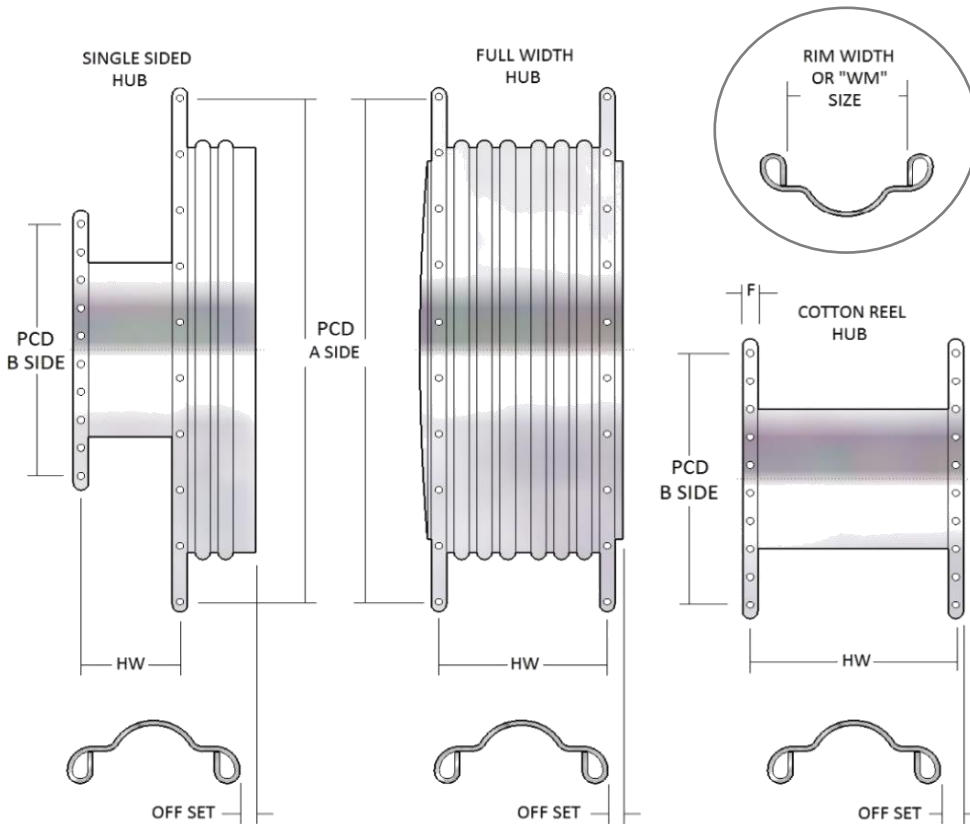
YEAR OF MANUFACTURE \_\_\_\_\_ MAKE \_\_\_\_\_ MODEL \_\_\_\_\_

**RIM TYPE AND FINISH – PLEASE CHOOSE FROM THE LIST BELOW**

**Rolltru** Premium Stainless \_\_\_\_\_ **Rolltru** Raw Steel \_\_\_\_\_ **Valtru** Trade Stainless \_\_\_\_\_

RIM DIAMETER \_\_\_\_\_ WIDTH WM1 (1.60") \_\_\_\_\_ WM2 (1.85") \_\_\_\_\_ WM3 (2.15") \_\_\_\_\_

(Sizes are approx, depending on manufacture & measured from Inside the rim bead where your Rim Tape would sit as shown below)



**TELL US ABOUT YOUR HUB?**

Please tick which of these Hub types you have.

Single Sided \_\_\_\_\_

Full Width \_\_\_\_\_

Cotton Reel \_\_\_\_\_

Are both spoke flanges the same size? \_\_\_\_\_

Side A - Are Spoke Holes – HOLES or KEY SLOTS

Side B - Are Spoke Holes – HOLES or KEY SLOTS

Please measure your Rim "Off Set". This is the distance from the edge of the Brake or Sprocket Face (Less Sprocket or Brake Plate) to the edge of your Rim as shown in the drawings here.

Off Set in Inches \_\_\_\_\_ or mm \_\_\_\_\_

THERE IS SHORT VIDEO ON OUR WEB SITE UNDER [Latest News](#) That will help.

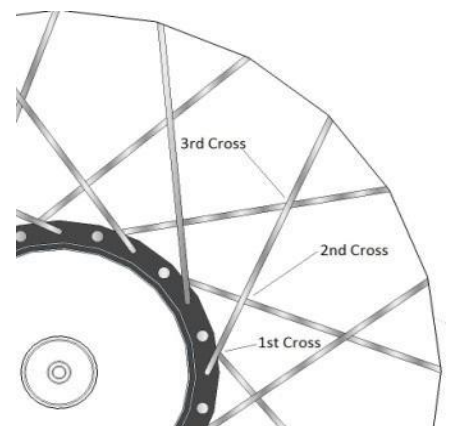
1. RIM / TYRE SIZE \_\_\_\_\_
2. No OF SPOKES \_\_\_\_\_
3. HUB WIDTH (HW) \_\_\_\_\_
4. PCD "A" Spoke hole to Spoke Hole \_\_\_\_\_
5. SPOKES CROSS "A" \_\_\_\_\_
6. PCD "B" Spoke hole to Spoke Hole \_\_\_\_\_
7. SPOKES CROSS "B" \_\_\_\_\_
8. NIPPLE HOLE SIZE \_\_\_\_\_ (this is the size of holes pierced in the rim to accept nipples, if left blank we will assume)

**VERY IMPORTANT**

**We CANNOT manufacture without this info Spoke Crossing Pattern**

This is the number of times any single spokes cross's another on the same side as itself. Pay special attention to crossings hidden under flanges.

A conventional pattern for single sided hubs might be 2 on the brake side and 3 on the other / small side. Full Width Hubs might be 2 both sides but you must check and we will use your information.



**Please complete as much information as possible. If we have to guess, we cannot guarantee the quality of fitment of our products. If the information provided is found to be inaccurate this is the customers responsibility. Please take your time and if in doubt please ask.**

Sorry but we cannot accept returns for any item supplied that does not fit if the information supplied on your completed sheet is supplied incorrectly.